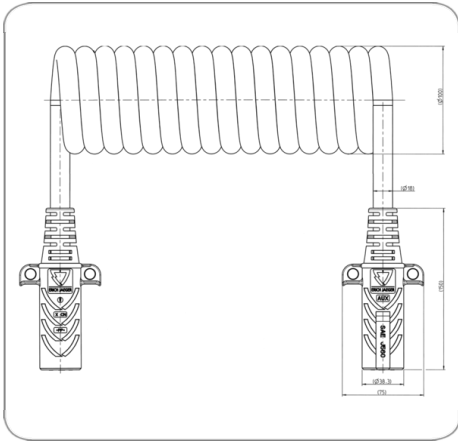




## 7P/12V coil (SAE J560 - Auxiliary)



Art.Nr.  
Part. No.

611266

|                                   |   |
|-----------------------------------|---|
| Product group                     | Coil  |
| Industry                          | Commercial vehicles   |
| No. of poles                      | 7   |
| Voltage [in V]                    | 12  |
| Standard                          | SAE J560 - Auxiliary  |
| Packaging                         | PE bag  |
| No. of connected plugs            | 2   |
| No. of connected sockets          | 0   |
| Housing material                  | reinforced composite  |
| Housing color                     | black   |
| Contact insert color              | black   |
| Cable outlet                      | molded, bending protection  |
| Mounting of cable and socket/plug | molded  |
| Working length [in feet]          | 12.0  |
| Working length [in m]             | 3.5   |
| Max. working length [in m]        | 4.0   |
| Max. extension length [in feet]   | 15.0  |
| Max. extension length [in m]      | 4.5   |
| Outer coil diameter [in mm]       | 100.0   |
| Cable color                       | yellow  |
| Wire cross-sectional area         | 4x 3.0mm <sup>2</sup> + 2x 5.0mm <sup>2</sup> + 1x 8.0mm <sup>2</sup> |
| Temperature resistance [in °C]    | -40.0 - 85.0  |