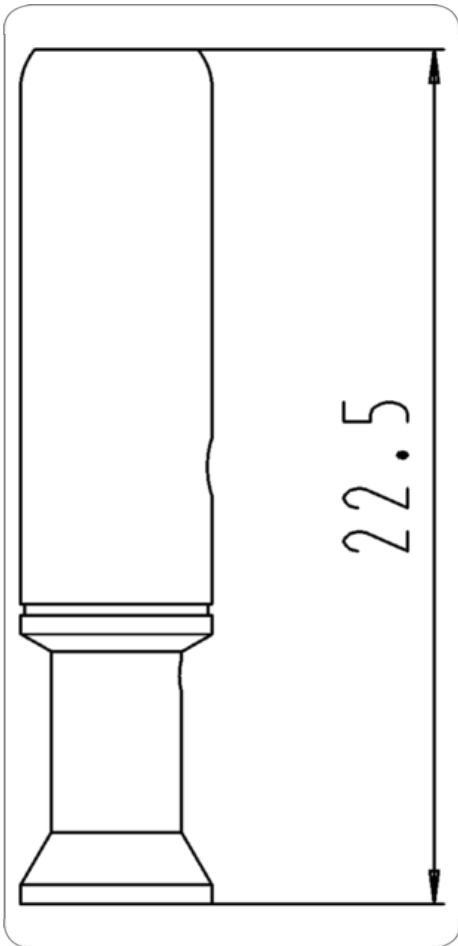




13P/12V contact (ISO 11446)



Product group	Socket, Accessories, Contact
Industry	Cars
No. of poles	13
Voltage [in V]	12
Standard	ISO 11446
Special feature	with locking insert
Design/Version	flat design
Contact version	contact sleeve
Production method of contact	rotary contact
Contact termination	crimp contact
Contact: for max. wire cross section [in mm ²]	2.5

Art.Nr.
Part. No.

380705