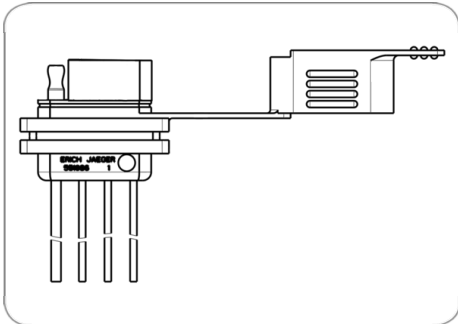
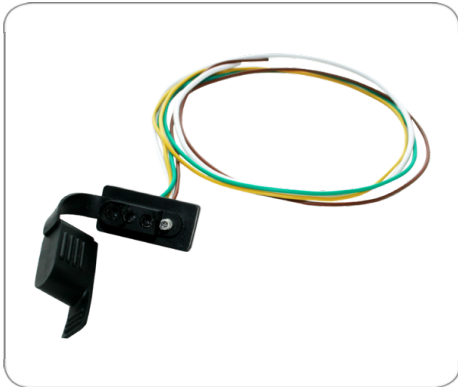




# DATAsheet

## 4P/12V socket (SAE J1239)



Product group	Socket
Industry	Cars
No. of poles	4
Voltage [in V]	12
Standard	SAE J1239
Special feature	with molded cover cap, with 4 molded single wires according to SAE J1128
No. of connected plugs	0
No. of connected sockets	1
Housing material	reinforced composite
Housing color	black
Cover material	reinforced composite
Cover color	black
Mounting of cable and socket/plug	molded
Cable length [in m]	1.3

Art.Nr.  
Part. No.

551010