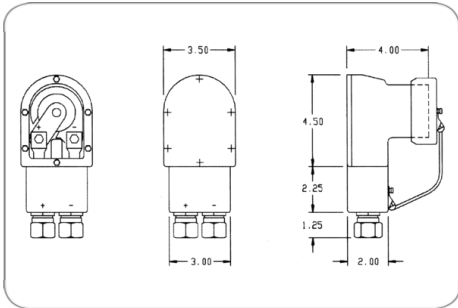




# DATAsheet

## 2P/24V(500A) plug (STANAG 4074 / MIL-PRF-62122)



Art.Nr.  
Part. No.

251289

Product group	Plug
Industry	Defense vehicles
No. of poles	2
Voltage [in V]	24
Rated current / permanent load [in A]	500.0
Peak current / short-term load [in A]	1,000.0
Standard	STANAG 4074 / MIL-PRF-62122
NATO stock No.	5935-00-567-0128
Design/Version	rubberized
Housing material	break-proof metal
Housing color	black
Cover version	push-on cap
Cover material	rubber
Cover color	black
Contact insert color	black
Contact version	contact pin
Contact surface	silver (Ag)
Contact: for max. wire cross section [in mm <sup>2</sup> ]	70.0
Protection	IP X7
Temperature resistance [in °C]	-55.0 - 100.0