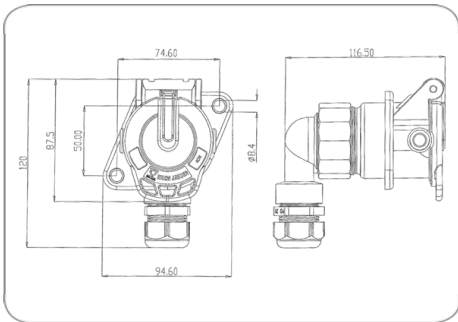




DATAsheet

7P/12V "JAEGER Basic" socket (ISO 7638-2 ABS / EBS / ADR)



Art.Nr.
Part. No.

141163

Product group	Socket
Industry	Commercial vehicles, Agriculture
Area of application	Towing vehicle
No. of poles	7
Voltage [in V]	12
Standard	ISO 7638-2
Addition to standard	ABS / EBS / ADR
Branding	ERICH JAEGER
Packaging	PE bag
Content of package	crimp contact pins (2x 4.0mm ² + 5x 1.5mm ²), screw cap
Housing material	reinforced composite
Housing color	black
Cover material	reinforced composite
Cover color	black
Cable outlet	cap nut, cable outlet 90°
Contact version	contact pin with seal
Contact surface	nickel (Ni)
Contact termination	crimp contact
Type of seal	screw cap
For cable diameter	7,00mm - 12,00mm
Protection	IP X7, IP 54
Brand	JAEGER Basic